



**THE INDUSTRY'S MOST VERSATILE BREED OF PIR  
FOR COMMERCIAL AND RESIDENTIAL INSTALLATIONS**

**One size fits all**



# A dealer's best friend.

Finally, a breed of sensor perfect for any installation. Ideal for small pets, large pets or no pets, Honeywell's versatile IS2500 Series has everything you've been looking for. With versions featuring selectable immunity for animals weighing up to 80 lbs., global compliance, reduced false alarms and exceptional catch performance, they provide an unmatched level of versatility and convenience. And since it's ideal for residential and commercial installations, it's the only one you'll ever have to stock.

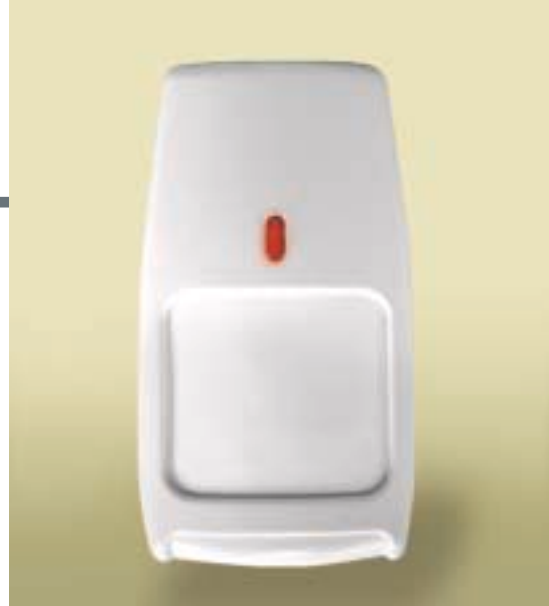
**The IS2500 Series.**  
**Truly a dealer's best friend.**

## Selectable Pet Immunity

IS2500 sensors feature selectable pet immunity,\* providing incredible convenience. Choose from the high-security non-pet setting, the intermediate 40 lb. setting or the robust 80 lb. setting—all in one sleek, easy-to-install unit.

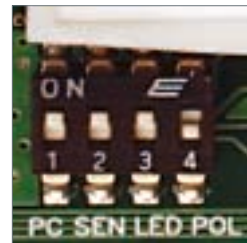
## Reduced False Alarms

Honeywell's patented black bug guard totally seals the optic area—preventing bug access and reducing false alarms. A special micro-processor control improves accuracy by distinguishing real signals from false sources.



## Sensitivity

Dip switches make it easy to adjust the sensitivity up to four different levels in order to adequately protect the premises.



## Versatility

IS2500 Series sensors are ideally suited for use in both residential and commercial applications, with three available coverage patterns to satisfy each and every installation.

## Flexibility

IS2500 sensors mount virtually anywhere—on walls, in corners or on ceilings.

## Reliability

IS2500 sensors are so reliable they satisfy many of the world's motion detector standards, including SIA, CE, EN, TS, UL, CUL and more. And features like dual slope temperature compensation, a special microprocessor based design and patented look down mirror ensure superior catch performance.



\*Versions featuring selectable pet-immunity: IS2535, IS2535T and IS2535TC

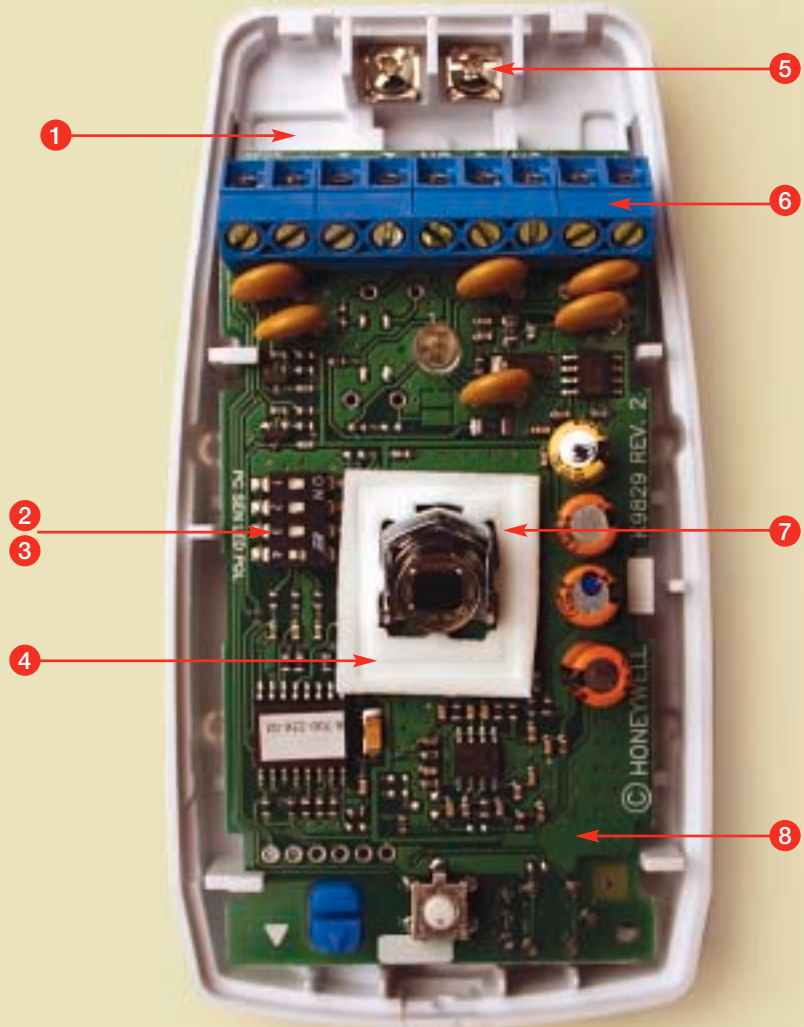
### Style Meets Technology

Honeywell's IS2500 PIRs feature a modern, leading-edge design that's simple, uncluttered and blends with any décor. Whether choosing versions with pet-immunity, tamper or Form C relay, all sensors share the same sleek, sophisticated look.



Large wiring area on the back of the PIR allows for quick and easy mounting.

## Designed with the installer in mind.



- 1 Large Wiring Area**  
Makes wiring more convenient
- 2 Dip Switch**  
Makes installation and set-up simple, with no jumpers to drop
- 3 Selectable Pet Immunity**  
0, 40 or 80 lbs. all-in-one unit with the flip of a dip switch
- 4 Black Bug Guard Gasket**  
Prevents bugs from gaining access and improves performance when bright lights are shined into the PIR, minimizing false alarms
- 5 Spare EOL Terminal Blocks**  
Makes wiring zones simpler. Available on TC models only
- 6 45° Terminal Block**  
Makes installation and testing a snap
- 7 Patented Look-Down Mirror**  
Improves coverage in the vulnerable area directly underneath the sensor for an added level of security
- 8 Surface Mount Design**  
Reduces susceptibility to RF interference

# IS2500 PIR Series



\*Available accessories  
Swivel brackets



SMB10



SMB10C



SMB10T

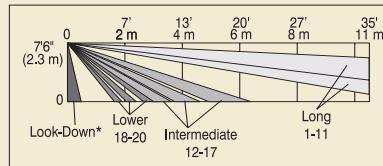
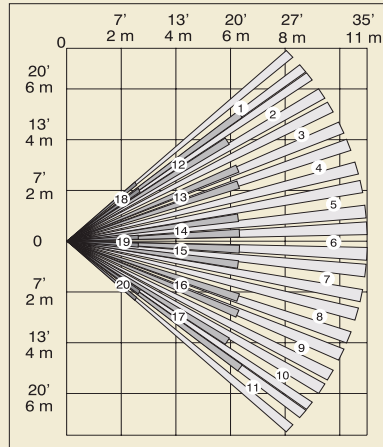
## Selectable Pet Immune PIR Detector

### IS2535\*

- 35' x 40' coverage
- 0, 40 or 80 lbs. selectable pet immunity

### IS2535TC\*

- Form C relay
- Alarm memory
- Case and wall tamper



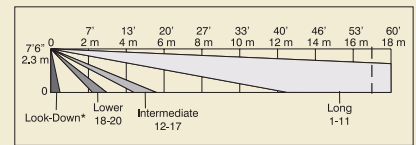
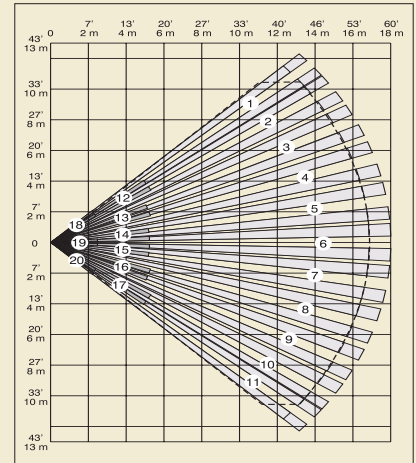
## Wide Area PIR Detector

### IS2560\*

- 60' x 85' coverage

### IS2560TC\*

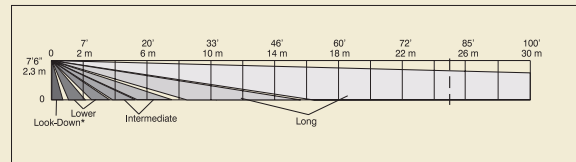
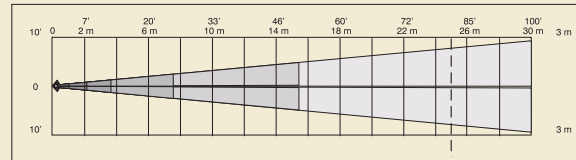
- Form C relay
- Alarm memory
- Case and wall tamper



## Long Range PIR Detector

### IS25100TC\*

- 100' x 20' coverage
- Form C relay
- Alarm memory
- Case and wall tamper



## Honeywell Security & Custom Electronics

165 Eileen Way  
P.O. Box 9035  
Syosset, NY 11791  
1-800-573-0154  
www.honeywell.com

RE05044  
L/PIR2500B/D  
August 2005  
© 2005 Honeywell International Inc.

# Honeywell