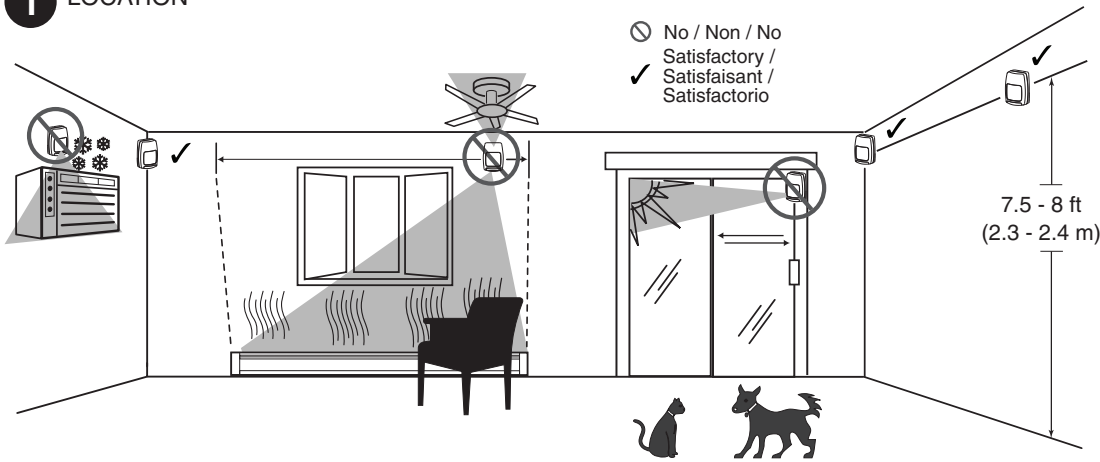
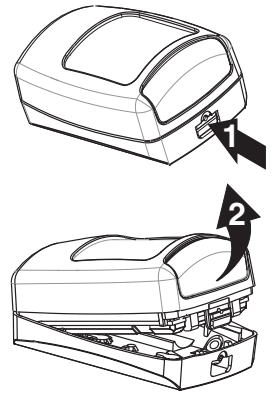


1 LOCATION



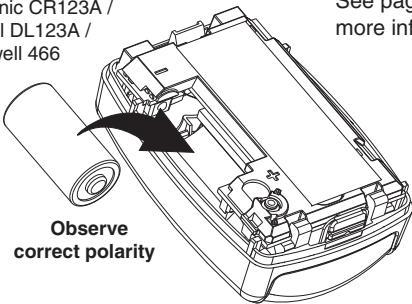
2 OPEN



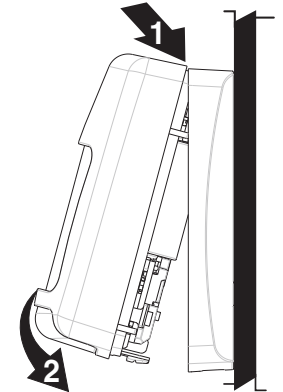
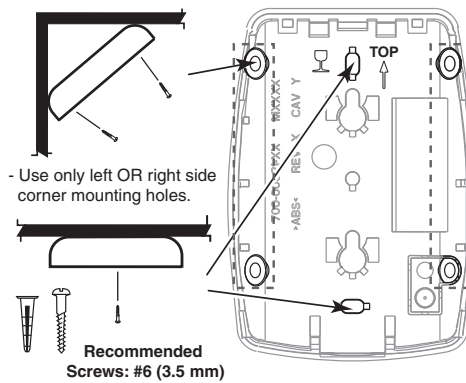
3 CONNECT THE BATTERY, ENROLL THE SENSOR, CONDUCT GO / NO GO TEST, AND PERFORM WALK TEST

Panasonic CR123A /
Duracell DL123A /
Honeywell 466

See page 2 for
more information



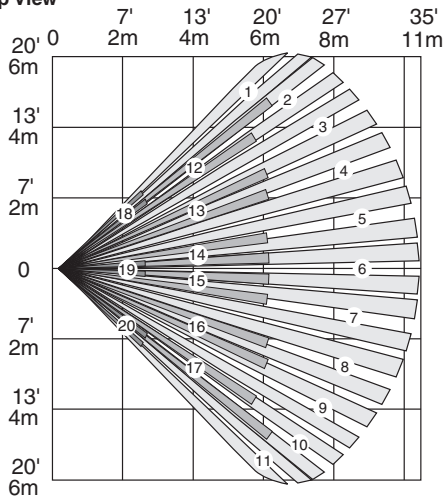
4 MOUNT



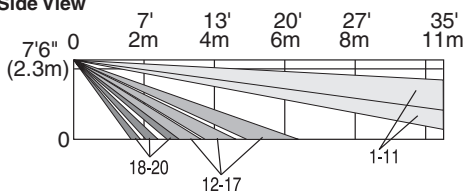
A DETECTION PATTERNS

35' / 11m Wide Angle Animal Immune Lens
(P/N 5-532-719-00)

Top View



Side View



B ACCESSORIES

SMB-10 (P/N 0-000-110-01)	Swivel Mount Bracket
SMB-10C (P/N 0-000-111-01)	Swivel Mount Ceiling Bracket
SMB-10T (P/N 0-000-155-01)	Swivel Mount Bracket w/Tamper
IS2500-HSLK ¹ 35' x 40' (11 m x 12 m)	High Security Lens Kit
IS2500-PALK ² 35' x 40' (11 m x 12 m)	Pet Alley Lens Kit

Mounting Height: ¹ 7 - 9 ft (2.1 m - 2.7 m).
 Hauteur de montage: ² 4 ft (1.2 m).
 Altura de la instalación:

ENROLL THE SENSOR

Enroll the sensor in the control panel prior to its usage in the system. Refer to the control panel instructions for programming details. **Program the sensor as an “RF” type (supervised RF) device.**

To enroll: connect the battery and wait for power up to end (see LED Indications table). When prompted for the serial number, activate the sensor (wave a hand in front of the lens) to enroll the sensor.

Loop 1	Pulse count 2; Up to 80 lbs. Animal Immunity
--------	--

LED INDICATIONS

Condition	Indicator LED
Power Up	Blinks once per second (for < 45 seconds)
Walk Test	ON for 3 seconds = Loop 1 / Low Sensitivity Alarm Flickers rapidly for 3 seconds = walk test period ended

MOUNT THE SENSOR (See page 1)

Before mounting the transmitter permanently, conduct Go/No Go tests (see control panel manual) to verify adequate signal strength and reorient or relocate the sensor if necessary.

For Animal (Pet) Immunity:

- Install the sensor where animals cannot come within 6 ft (1.8 m) of the sensor by climbing on furniture or other objects.
- Aim the sensor away from stairways, furniture or other objects that can be climbed on by animals.
- Do not use optional swivel mount brackets.

WALK TESTING

The 10 minute walk test mode begins after power up, and can be restarted by removing and replacing the battery.

As you walk through the detection pattern, the sensor LED will light for 3 seconds to indicate each alarm detection.

Note: In walk test mode all transmissions will be sent as they occur. During normal operation, only one transmission sequence will occur within a 3-minute period to conserve battery life.

FCC NOTICE: This equipment has been tested and found to comply with the limits for a Class B digital device, pursuant to Part 15 of the FCC Rules. These limits are designed to provide reasonable protection against harmful interference in a residential installation. This equipment generates, uses and can radiate radio frequency energy and, if not installed and used in accordance with the instructions, may cause harmful interference to radio communications. However, there is no guarantee that interference will not occur in a particular installation. If this equipment does cause harmful interference to radio or television reception, which can be determined by turning the equipment off and on, the user is encouraged to try to correct the interference by one or more of the following measures:

- Reorient or relocate the receiving antenna.
- Increase the separation between the equipment and receiver.
- Connect the equipment into an outlet on a circuit different from that to which the receiver is connected.
- Consult the dealer or an experienced radio/television technician for help.

To obtain applicable EU compliance Declaration of Conformity for this product, please refer to our Website, <http://www.security.honeywell.com/hsc/international/index.html>.

© 2009 Honeywell International Inc. Honeywell is a registered trademark of Honeywell International Inc. All other trademarks are the properties of their respective owners. All rights reserved. Assembled in Mexico.

For the latest U.S. warranty information, please go to: www.honeywell.com/security/hsc/resources/wa or Please contact your local authorized Honeywell representative for product warranty information.

TROUBLESHOOTING

Problem: The system displays a “low battery” message.

Solution: Replace the battery within 7 days.

SPECIFICATIONS

Power: Battery* (included).	1 x 3 V, Lithium; CR123A / DL 123A / 466
Battery Life, years (typical):	5
RF Frequency:	345 MHz
Operating Temperature: (for indoor use environment)	14° to 131° F (-10° to 55° C)
Relative Humidity, no condensation:	95% max.
Detectable Walk Rate:	0.7 – 7ft/Sec. (0.2 – 2.0m/Sec.)
Temperature Compensation:	Advanced Dual Slope

*Battery Caution: Risk of fire, explosion and burns. Do not recharge, disassemble, heat above 212° F (100° C), or incinerate. Dispose of used batteries promptly. Keep away from children.

APPROVALS / LISTINGS

- FCC part 15, Class B verified
- IC, ICES-003, Class B verified
- C-Tick
- CE
- SIA-PIR-01 Passive Infrared detector standard features for false alarm immunity.
- cETLus Listed



COMPLIANCE NOTES

- Product must be tested at least once each year.
- Product must be installed within the protected area only.

The user is cautioned that changes or modifications not expressly approved by Honeywell could void the user's authority to operate this equipment.

IC NOTICE: This Class B digital device complies with the Canadian ICES-003.

Cet appareil numérique de la Classe B est conforme à la norme NMB-003 du Canada.

This device complies with RSS-210 of the IC rules. Operation is subject to the following two conditions: (1) this device may not cause harmful interference, and (2) this device must accept any interference received, including interference that may cause undesired operation.

Cet appareil est conforme à la norme CNR-210 des règles d'IC. L'utilisation de ce dispositif est autorisée seulement aux deux conditions suivantes : (1) il ne doit pas produire de brouillage, et (2) l'utilisateur du dispositif doit être prêt à accepter tout brouillage radioélectrique reçu, même si ce brouillage est susceptible de compromettre le fonctionnement du dispositif.



P/N 800-04182 Rev A 8/09