

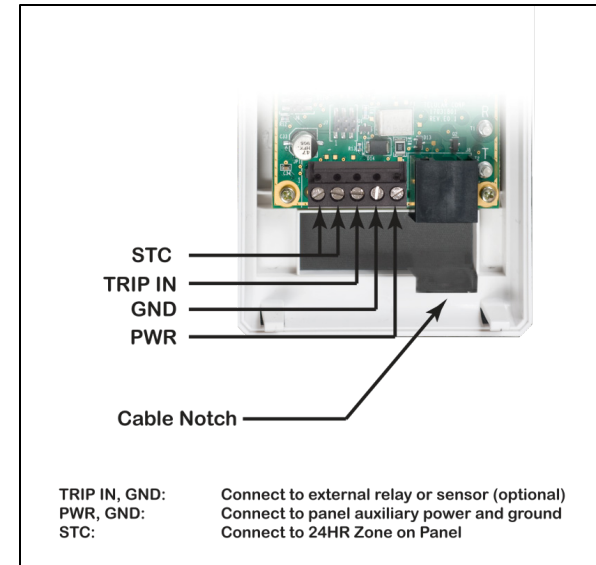
TG-1 Express Quick Install Guide

Programming Codes

Mem Loc.	Field	Setting (default indicated in bold)
851	STC Relay Output Reporting Normally Closed	Enter the SUM TOTAL of the events that you wish to trip the STC relay by ADDING the corresponding values: 00 = STC Relay Output Not Used 01 = LPF 08 = NSC 16 = RFC 32 = DTF 57 = ALL
852	STC Trip Delay for NSC	1=30 seconds, 2=60 seconds 3=3 minutes 4=10 minutes 5=20 minutes 6=30 minutes 7=45 minutes 8=60 minutes 9=24 hours
858	STC History	0 = terminate STC history display mode 1 = start STC history display mode 2 = clear STC history
868	PPF Delay Timer	0 = disabled , 1 = 10 seconds, 2 = 20 seconds, ... 15 = 150 seconds
873	Trip Input Reporting	0 = no report 1 = report trip
874	Trip Input Restoral Reporting	0 = no report 1 = report restoral
875	Trip Input Swinger Function	0 = swinger function disabled 1 = swinger function enabled
899	Factory Default Unit	

To Program the TG-1 Express:

1. After the TG-1 Express is initialized, connect a POTS phone to the RJ-45 jack or lineman's butt set to the tip and ring turrets.
2. Take the POTS phone off hook or put the butt set in talk mode. You should hear dial tone.
3. Dial ####, and you should hear one beep.
4. Dial #*, and you should hear one beep.
5. Dial the POTS command number 8XX; you should hear one beep.
6. Enter the command data; you should hear 2 beeps.
7. After the last POTS command, dial * and listen for 2 beeps. Then hang up to terminate the POTS programming session.



1 Register for Telguard Service

There are four ways to register the Telguard unit:

1. register online at www.telguardonline.com,
2. send the electronic registration form at www.telular.com/telguard,
3. email the completed registration form to cellservice@telular.com, or
4. fax the completed registration form to 678-945-1651.

2 Connect Dialer and Power to the TG-1 Express

Connect the alarm panel's dialer to the RJ-45 jack on the TG-1 Express. If using the Single Line Interface Cable (SLIC) for power, connect the RJ-45 cable's orange wire to the alarm panel's ground and its blue wire to the panel's auxiliary power. If using the terminal block, connect pins 4 and 5 to the panel's ground and power.

Continued...

3

Connect the Antenna and Place the Unit

Connect the antenna to the antenna port, and press the RSSI button on the side of the unit to put the LEDs into RSSI display mode. When you have found a location that provides 2 ½ bars or more (LEDs 4 and 5 solid, and LED 3 flashing or solid), install the mounting screws and attach the TG-1 Express to the mounting screws. Press the RSSI button again to return the LEDs to normal display mode.

4

Activate the TG-1 Express

The last step is to trigger an alarm from the panel to activate the TG-1 Express. Note that the first alarm will activate the TG-1 Express with the Telular Communication Center, and will **not** be sent to the central station.

Optional Steps

A

Configure and Connect the Supervisory Trip Output

If required, configure the relay output using a butt set or phone set, referencing the programming instructions on the back of this guide. By default, the relay will trip for any system trouble condition detected on the TG-1 Express. Connect the relay output (pins 1 and 2 on the terminal block) to a 24 hour zone on the alarm panel.

B

Configure and Connect the Trip Input

The trip input may be configured to provide supervision independent of the alarm panel, for applications such as external sensors and tamper protection. Configure the trip and restoral reporting (they are disabled by default) and the swinger setting using a butt set, and connect the trip input and ground terminals to the external sensor.

LED Indicators (normal mode)

LED Symbol	Color	Showing	Indication
LED #1 Activation	Green	Solid On	Unit is activated at the message center and enabled
		Off	Unit not activated at the message center
		Flashing	Unit is activated but disabled
LED #2 STC (System Trouble Condition)	Red	Off	ALL OK
		1 Flash	STC – Low Power Failure
		2, 3 Flashes	N/A
		4 Flashes	STC – No Service Condition
		5 Flashes	STC – Radio Failure Condition
		6 Flashes	STC – Dial Tone Failure
LED #3 MODE	Yellow	Flashing	Telguard TG-1 Express communicating with alarm panel
		Off	Idle state
LED #4 Acknow- ledgement	Red	Flashing	When flashing with LED #1 unit has failed activation. CALL TELGUARD TECHNICAL SUPPORT
		Off	TG-1 Express initialized
		On	TG-1 Express is waiting for response from Telular Communication Center
LED #5 Radio	Green	Short Flash (1 sec)	Radio receiving message
		Long Flash (2 sec)	Radio sending message
LED #7 Trip Input	Green	Solid On	Trip input activated
		Off	Trip input not active or restored
LED #8 Power	Red	Solid On	Power connected to unit