

# ***4286 VIP***

## ***Vista Interactive Phone Module***

---

---

# ***Installation and Setup Guide***

**® ADEMCO**



# Table of Contents



- Section 1. GENERAL DESCRIPTION** ..... 1-1
  - Application and Description ..... 1-1
  - Control Panels Supported ..... 1-2
  - Differences between the 4285 and 4286 VIP Module ..... 1-2
  - 4286 VIP Module Specifications ..... 1-3
  
- Section 2. MOUNTING AND WIRING** ..... 2-1
  - Mounting the 4286 VIP Module (all controls) ..... 2-1
  - Wiring Connections ..... 2-2
  - Speaker Connections and Volume Control ..... 2-2
  - Special Wiring Notes ..... 2-3
  
- Section 3. PROGRAMMING** ..... 3-1
  - Programming the Control for 4286 VIP Module Usage ..... 3-1
  - Entering the 4286 VIP Module Programming Mode ..... 3-2
  - Programming Zone Descriptors ..... 3-4
  - Systems with Alpha Keypads ..... 3-5
  - Systems Using Only Fixed-Word Keypads ..... 3-5
  - Programming Note ..... 3-5
  - Programming Relay Voice Descriptors ..... 3-7
  - Programming Speaker Output Mode ..... 3-9
  - Voice Menu for Programming Speaker Output Mode ..... 3-9
  
- Section 4. BASIC OPERATING GUIDE** ..... 4-1
  - Phone Code ..... 4-1
  - Setting the Phone Code ..... 4-1
  - Phone Access When On-Premises ..... 4-2
  - Phone Access When Off-Premises ..... 4-2
  - Performing System Commands ..... 4-3
  - Conformation Sounds and Voice Announcements After Command Entries ..... 4-4
  - Turning Remote Phone Access On and Off ..... 4-4
  - Installations Where the Telephone System Includes an Answering Machine ..... 4-5
  - End User Relay Command Mode When Using the 4286 VIP Module ..... 4-6
  - Using the Phone Panic Feature ..... 4-7
  - Using the Novice Voice Menu ..... 4-7
  - About the Speaker Output ..... 4-8

*Table of Contents (cont'd)*

---

<b>Section 5. TROUBLESHOOTING</b> .....	5-1
Typical System Problems and Solutions.....	5-1
<b>Section 6. APPENDICES</b> .....	A-1
In the Event of Trouble with Regular Telephone Service .....	A-1
FCC Statement, Part 15 .....	A-2
FCC Statement, Part 68 .....	A-2
TELECO-Provided Coin Service Advisement.....	A-3
<b>TABLES:</b>	
<b>TABLE 2-1.</b> Wiring Connections .....	2-3
<b>TABLE 3-1.</b> 4286 Zone Descriptors Vocabulary List.....	3-6
<b>TABLE 3-2.</b> Relay Synthesized Voice Descriptors Vocabulary & Custom Word Substitutes .....	3-8
<b>TABLE 3-3.</b> Speaker Control Categories .....	3-10
<b>DIAGRAMS</b>	
<b>Summary of Connections</b> .....	A-4

# General Description

.....

## In This Section

- ◆ *Application and Description*
- ◆ *Differences between the 4285 and 4286 VIP Module*
- ◆ *Control Panels Supported*
- ◆ *4286 VIP Module Specifications*

.....

## Application and Description

The Ademco 4286 Vista Interactive Phone (VIP) Module is an add-on accessory that can be used with certain Ademco controls\* to provide an interactive phone capability to the security system. This feature will permit access to the security system via any Touch-tone phone (either on premises or by a call-in when away from the premises).

***Only one 4286 VIP Module can be used in a system.***

1. The 4286 VIP Module can only be used with systems using addressable keypads. Addressable keypads that may be used are: 4137AD, 5137AD, 6128, 6137, 6138, and 6139.
2. For controls that do not support addressable keypads (such as the VISTA-10(SE), VISTA-20 (all models), and VIA-30P(SE), an addressable keypad must still be used and set to the non-addressable mode. The non-addressable mode, for units with DIP switches all toggled to the UP position, is address 31.
  - See the control's Installation Instructions for information on whether the control can support a VIP Module



---

All controls that support a 4285 Voice Module can support the 4286 VIP Module as well. Existing 4285 Voice Module programming and downloading fields for the control panel still apply.

---

When connected, the 4286 VIP Module will enable the user to do the following via **any** Touch-tone telephone:

1. Receive synthesized voice messages over the phone regarding the status of the security system.
2. Arm and disarm the security system and perform most other commands using the telephone keypad, with voice annunciation being provided as confirmation after any command is entered.
3. Turn certain lights/appliances on and off via the telephone using the Relay Command Mode. This capability is possible only with the 4286 VIP Module and with controls supporting the Relay Command Mode.



---

If the system has relays, but does not support the Relay Command Mode, they still can be controlled via the phone (in same way as from a wired keypad), but no voice feedback will occur.

---

The on-premises phone system need not have Touch-tone service, but the phone used for security system access must have Touch-tone capability. Switchable phones should be set for Touch-tone temporarily before attempting phone access. However, an off-premises phone that does not have Touch-tone service and uses pulses for dialing may not permit switching to Touch-tone *after dialing; in such a case, phone access from that phone will not be possible.*

## **Control Panels Supported**

These following control panels require specific software revisions for use with the 4286 VIP Module:

Vista-10SE, Via-30PSE Rev. 13 (micro. WA6764V10) or above; Vista-20SE Rev. 7 (micro WA7840V6) or above; Vista-40 Rev. 12 (micro. WA4142P2-22) or above; Vista-50P Rev. 5 (micro. WAVIS50P-15) or above; Vista-100 Rev. 4 (micro. WAVIS100-14) or above; Vista-128FB Rev. 1 (micro WAVIS128FB-11) or above.

## **Differences between the 4285 and 4286 VIP Module**

The 4286 VIP Module offers increased capabilities when used with a control that supports the 4285. These include:

- Thermostat control (using 4500 thermostats). Temperature settings can be adjusted and room temperature can be monitored from a touch tone phone on or off the premises.



---

The 4500 thermostat cannot be used in UL installations.

---

- Synthesized voice prompts to instruct the user on how to initiate common user commands, such as arming or disarming the system, relay and thermostat control, etc.
- Panic alarms can be activated from a premises touch tone phone.
- Audio output capable of driving a loudspeaker, providing system status, warnings, and confirmation of user commands
- Telephone programming mode for 4286 installation options.

### 4286 VIP Module Specifications

Physical:	6-7/16" (163mm) W x 4-1/4" 108mm) H x 1-1/4" (32mm) D.
Electrical:	Input voltage: 12VDC (from control)
Current Usage:	300 mA; 220 mA if the warning speaker is not used
Device Address:	Factory set to address 4, not changeable
FCC Registration No.:	AC3USA-74659-KX-N
Ringer Equivalence:	1.0 B

**The 4286 VIP Module complies with FCC RULES, Parts 15 & 68.**





## Mounting and Wiring

.....

### **In This Section**

- ◆ *Mounting the 4286 VIP Module*
- ◆ *Wiring Connections*
- ◆ *Speaker Connections and Volume Control*
- ◆ *Caller ID Units*

.....

### **Mounting the 4286 VIP Module (All Controls)**

- Mount the 4286 VIP Module in the control cabinet if space is available, or on the side of the cabinet or adjacent to it. Pry off the 4286's cover prior to wiring.
- If mounted inside the cabinet with the control, use double-sided adhesive tape to attach the Module to the interior surface of the cabinet, or hang on two screws. **Do not mount on the cabinet door or attempt to attach it to the PC board.** The 4286's cover can be left off if the Module is mounted within the cabinet.
- To mount the 4286 outside the cabinet, use the screw holes at the rear of the Module, which can be mounted horizontally or vertically (double-sided adhesive tape may be used in place of screws, if preferred). Wires can be brought out from the side or back (use the round breakout on the back). When the 4286's wiring is completed (as shown below), replace the Module's cover (with label affixed, as indicated next).
- Affix the supplied connections label to the inside of the 4286's cover if the cover is to be used. Otherwise, affix the label to the inside of the control cabinet's door.

## Wiring Connections

1. Make 12V (+), Ground (-), Data in, and Data out connections from the 4286 VIP Module to the keypad terminals on the control. Using the connector cable supplied and referring to Summary of Connections located on the inside back cover on page A-7, wire as follows:

Color Lead		Terminal On Control
GREEN	to	DATA IN
BLACK	to	AUX GROUND (-)
RED	to	AUX +
YELLOW	to	DATA OUT

2. Insert the keyed connector at the other end of the above leads into the mating header on the 4286. Refer to Summary of Connections.
3. Connect terminals 1 through 5 on the 4286 as indicated in Figure 1 and Table 2-1. Use an RJ31X jack (CA38A in Canada) with a direct-connect cord and make all connections exactly as shown. If the leads on the direct-connect cord are too short to reach their assigned terminals, splice additional wires to them, as required.



---

Some controls may require different wiring connections than those indicated in Table 2-1 and shown in Summary of Connections located on back inside cover depending on whether other devices that connect to the telephone lines are also being used (for example, an Audio Alarm Verification unit). Refer to the 4286 VIP Module section in the control's installation instructions for information on any wiring variations that might be necessary.

---

## Speaker Connections (optional) and Volume Control

- **Single Speaker:** Connect an Ademco 746 Indoor Speaker or any other 8-ohm speaker between speaker terminals 6 and 7 on the 4286 as shown in Summary of Connections on page A-7. **Do not use a single 4-ohm speaker in this setup.** If you only have 4-ohm speakers, you must connect two of them in series.
- **Dual Speakers:** Connect the speakers in series between the 4286 VIP Module speaker terminals 6 and 7. Note that there will be a decrease in volume from each of two 8-ohm speakers in series as compared to when only a single 8-ohm speaker is connected. The same is true if two 4-ohm speakers in series are used in this setup.
- **Speaker Volume Control:** The speaker volume control is located near the transformer on the 4286 board. Refer to Summary of Connections. Note that this control does **not** adjust the volume of the output from the 4286 to the phone handset.



Do **NOT** connect speakers in parallel.  
Do **NOT** use a single 4-ohm speaker.

**Damage to the 4286 may result.**

### Special Wiring Notes:

1. Wire the 4286 VIP Module exactly as indicated in Table 2-1 and on the Summary of Connections diagram on the inside back cover of this manual, unless the control's installation instructions indicate otherwise (due, for example, to the use of other phone-connected devices such as an Audio Alarm Verification unit).
2. You **MUST** make a connection to the incoming Telco line via an RJ31X jack (CA38A in Canada) and direct-connect cord, as shown in the Summary of Connections diagram, even if the system is not connected to a central station. **The 4286 will not operate properly if this is not done.**
3. If Touch-tones are not present following access to the security system via an on-premises phone, try reversing the pair of wires connected to terminals 3 & 4 on the 4286 VIP Module, and the pair of wires connected to the "Handset" TIP & RING terminals on the control.
4. Connect a Caller ID unit to the security system as you would an answering machine and other phones.

**Table 2-1. Wiring Connections**

4286 VIP Module Terminal	Connects to:
1. Phone In (Tip)	"Handset" <b>TIP</b> terminal on control
2. Phone In (Ring)	"Handset" <b>RING</b> terminal on control
3. Phone Out (Tip)	<b>BROWN</b> lead from direct-connect cord
4. Phone Out (Ring)	<b>GRAY</b> lead from direct-connect cord
5. Not Connected	Not Connected
6. Audio Out	One side of speaker
7. Audio Out	One side of speaker



# Programming

.....

## In This Section

- ◆ *Programming the Control for 4286 VIP Module Usage*
  - ◆ *Entering the 4286 VIP Module Programming Mode*
  - ◆ *Programming Zone Descriptors*
  - ◆ *Systems with Alpha Keypads*
  - ◆ *Systems Using Only Fixed-Word Keypads*
  - ◆ *Programming Note*
  - ◆ *Programming Relay Voice Descriptors*
  - ◆ *Programming Speaker Output Mode*
  - ◆ *Voice Menu for Programming Speaker Output Mode*
- .....



---

The programming steps that follow must be completed within 3 hours of powering up the 4286. This time constraint is necessary to prevent accidental end user access to the programming capability of the Module. In the event that this time period elapses, it will be necessary to remove and then re-apply primary power to the Module as indicated in the information that follows the end of programming on page 3-4.

---

## Programming The Control For 4286 VIP Module Usage

It is important that all fields related to the operation of the 4286 be properly programmed. These include entries for selection of the 2-digit phone code, ring detection count, and, in some cases, entries for 4285/4286 supervision. Refer to the control's programming section for inclusion of the 4285/4286 supervision codes.



---

The 4286 VIP Module is factory set to device address 4. For addressable controls a Device Address of 04 must be programmed in Device Programming Mode at the control panel. If using a speaker, assign the 4286 to the same partition to which the monitored keypad (programmed in field 00 of 4286 program mode) is assigned.

---

### **Entering the 4286 VIP Module Programming Mode:**

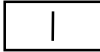
1. Pick up a premises touch tone phone connected to the 4286 handset output. Programming cannot be done from an off-premises phone.
2. Enter the 2 digit phone code on the phone keypad (such as “7” followed by “\*” and after hearing status announcement, press # 98. **Do not press keys while the 4286 is announcing.** The 4286 will establish a phone connection and announce the contents of programming field 00.

### **Programming Notes**

- New data may be entered into each field once the field contents are announced. Once accepted, the new data will be echoed back by synthesized voice announcement. If an erroneous entry is detected, a buzzer sound will be heard in the phone receiver, and the current field and data will be repeated. If you wish to change the data again, it can be re-entered after the echoed voice announcement.
- You must wait for an echoed announcement and if satisfied with a field entry, press “\*” to go on to the next field. If you want to go back one field, press “# .”
- If you do not need to program all fields, such as to modify a program already entered, press “\*” on the phone keypad to advance by one field until desired field number is announced. For example, pressing “\* \*” will advance the field from 00 to 02.
- Once all fields have been programmed as required and accurately echoed back, **you can hang up the phone.**
- If necessary, you will have 15 minutes to re-enter programming mode. The 15 minute limit is to prevent the user from accidentally entering programming mode. If more than 15 minutes have elapsed, it will be necessary to remove the 12 volt power temporarily from the 4286 by disconnecting the keyed header that connects it to the control panel (located near the 2 relays). Wait 5 seconds before replacing the header to restore power. Then re-enter programming mode as outlined in this section.

System default settings are indicated by **[default]** following an entry.

**Field 00: Monitored Keypad Address**



This field enables or disables the 4500 thermostat **AND** speaker output features and selects which keypad to monitor.

**In a system that uses addressable keypads:**

Select the keypad whose status the 4286 will monitor to control the 4500 thermostat and/or trigger speaker messages, and set its device address (**01 to 31**) in this field. The selected keypad should be assigned to the partition where the 4500 thermostat and/or speaker are to be located.

Do **not** select 04, which is the address of the 4286 VIP Module.

**In a system that uses non-addressable keypads:**

Set the monitored address to 31 for this field.

**In a system that contains no thermostats or speakers:**

If there are no 4500 thermostats **AND** no speaker connected to the 4286, set this field to 00 [**default**].

**In a system that contains a 4500 Thermostat but no speaker:**

Select the keypad whose status the 4286 will monitor to control the 4500 thermostat and set its device address (**01 to 31**) in this field. The selected keypad should be assigned to the partition where the 4500 thermostat is to be located. With no speaker connected, the speaker option must still be disabled. After exiting the 4286 programming mode, use the # 97 speaker control menu of the 4286 and choose the “MUTE” menu selection. Refer to “Programming Speaker Output Mode” on page 3-9 for more detail.

**Field 01: Phone Panic Address**



The 4286 will trigger a panic alarm by sending a panic key sequence to the control panel when a phone panic key sequence is entered on a Touch tone phone keypad. Refer to the “Basic Operating Guide” in this manual for details.

To disable the phone panic feature enter 00 [**default**] Otherwise:

**In a system that uses addressable keypads:**

1. Select an **unused** device address (01-31) to be used to send phone panics to the control panel. Assign this address to a keypad through the control panel’s #93 device programming mode (although a physical keypad will not actually be connected). Do **not** select 04, which is the address of the 4286 VIP Module.

2. Enter the same address in this field

**In a system that uses non-addressable keypads:**

Set this field to 31 to enable phone panics.

**Field 02: Control Panel Type**

1 = Vista-10, Vista-10SE, Via-30P, Via-30PSE, and 4140XMP (with voice upgrade EPROM)

2 = Vista-20, Vista-20HW, Vista-20SE, and Vista-20HWSE

4 = Vista-40, Vista-50P, Vista-100, Vista-120, and Vista-128FB

---



Field numbers 03 to 15 refer to 4500 Thermostat settings and shall be programmed using the thermostat's Installation Instructions manual. Should you make an entry error, the defaults are listed below for quick reference.

---

Field	Description	Default Entry	Default Description
03	Unit of temperature	• 0	Temperature in degrees F
04	Thermostat #1 enable	• 00	Thermostat #1 disabled
05	Thermostat #1 swing	• 1,4	0.0 deg F, -1.0 deg F
06	Announce thermostat #1 temp	• 0	Do not announce
07	Thermostat #1 voice descriptor #1	• 000	No announcement
08	Thermostat #1 voice descriptor #2	• 000	No announcement
09	Thermostat #1 voice descriptor #3	• 000	No announcement
10	Thermostat #2 enable	• 00	Thermostat #2 disabled
11	Thermostat #2 swing	• 1,4	0.0 deg F, -1.0 deg F
12	Announce thermostat #2 temp	• 0	Do not announce
13	Thermostat #2 voice descriptor #1	• 000	No announcement
14	Thermostat #2 voice descriptor #2	• 000	No announcement
15	Thermostat #2 voice descriptor #3	• 000	No announcement

**Programming Zone Descriptors**

This Section Applies to Systems Using Alpha or Fixed-Word Keypads..

Zone descriptors **MUST** be programmed into the control panel, even if the system uses only fixed-word keypads. If this is not done, the 4286 VIP Module will annunciate zone numbers only, with no descriptors. In an existing



installation where descriptors have already been programmed, check to be sure that those descriptors can be annunciated by the 4286. Refer to table 3-1. Re-program zone descriptors if necessary.

Some controls offer a quick method for programming zone descriptor words. This method simply requires that you press # followed by the index number that has been assigned to each descriptor.

Since the index number that has been assigned to each word may vary from one control to another, Table 3-1 lists only the words that shall be selected as zone descriptors when using the 4286 VIP Module. The index numbers for the words that you have selected should be obtained from the installation instructions for the control being used. The control's instructions will list all words (with their index numbers) available as alpha zone descriptors, among which will be those listed in Table 3-2.

### Systems with Alpha Keypads

**When using the 4286 VIP Module:** Select zone descriptors for Alpha keypad displays from those words listed in Table 3-1 on page 3-6.

The words listed in Table 3-1 are those that are available in the 4286 VIP Module's own vocabulary and match many of the control panel's alpha words. By selecting these words for zone descriptions wherever possible, the words displayed on an Alpha keypad will match those annunciated by the 4286 VIP Module. If the words programmed into the system for zone descriptors are not in the 4286 VIP Module's vocabulary (Table 3-1), the 4286 will annunciate the zone numbers only.



---

Plurals of words (adding an "s") may be added to words in some controls when programming descriptors, **but these cannot be annunciated** by the 4286 VIP Module as zone descriptors.

---

### Systems Using Only Fixed-Word Keypads

Normally, systems with only fixed-word keypads do not require programming of zone descriptors. However, when a 4286 VIP Module is used, descriptors must be programmed, either via downloading or, alternatively, by connecting an Alpha keypad temporarily. If this is not done, the 4286 VIP Module will be unable to annunciate a description of the zone(s) in alarm, trouble, etc. (the 4286 VIP Module will annunciate zone numbers only).

**Programming Note**

Be sure that all programming changes made to the control are uploaded via ADEMCO's V-LINK<sup>®</sup> or Compass<sup>®</sup> downloading software.



The vocabulary list that follows in Table 3-1 is **not** to be used for relay voice descriptors. Refer to the vocabulary listed in Table 3-2 when programming relay voice descriptors.

**4286 ZONE DESCRIPTOR VOCABULARY LIST**

**Table 3-1**

AIR	EAST	MACHINE	TEMPERATURE
ALARM	EQUIPMENT	MASTER	TOOL
APARTMENT	EXIT	MEDICAL	
APPLIANCE		MOTHER'S	UP
AREA	FACTORY	MOTION	UPPER
ATTIC	FATHER'S		UPSTAIRS
	FENCE	NORTH	UTILITY
BABY	FIRE		
BACK	FLOOR	OFFICE	WEST
BAR	FOYER	OPEN	WINDOW
BASEMENT	FRONT	OUTSIDE	WING
BATHROOM			
BED	GARAGE	PANIC	ZONE
BEDROOM	GAS	PATIO	0
BLOWER	GLASS	PHONE	1
BOILER		POWER	1st
BRIGHT	HALL		2
BUILDING	HEAT	REAR	2nd
		RIGHT	3
CALL	INSIDE	ROOM	3rd
CENTRAL			4
CLOSED	KITCHEN	'S †	4th
COMPUTER		SERVICE	5
	LAUNDRY	SHED	5th
DEN	LEFT	SHOP	6
DETECTOR	LIBRARY	SIDE	6th
DINING	LIGHT	SMOKE	7
DOOR	LIVING	SON'S	7th
DOWN	LOADING	SOUTH	8
DOWNSTAIRS	LOWER	STATION	8th
DRIVEWAY		STORAGE	9
DUCT			9 <sup>th</sup>

†'S counts as one descriptor.

## **Programming Relay Voice Descriptors**

With some controls, certain lights/appliances can be turned on and off via the telephone using the Relay Command Mode. Synthesized voice feedback to verify status is possible with the 4286 VIP Module and with controls supporting this Module.

Table 3-2 lists the words available in the Relay Voice Descriptors Vocabulary for the 4286. Refer to the control's programming section for the appropriate procedure for programming Relay Voice Descriptors.

**RELAY VOICE DESCRIPTORS VOCABULARY & CUSTOM WORD SUBSTITUTES  
(4286 VIP Module only)**

**Table 3-2**

The Word Index numbers shown below are used only when programming Relay Voice Descriptors in controls featuring Relay Activation with synthesized voice feedback, and for custom word substitutes. See the Control's Installation Instructions for programming procedure.

<b>WORD INDEX</b>	<b>WORD</b>	<b>WORD INDEX</b>	<b>WORD</b>	<b>WORD INDEX</b>	<b>WORD</b>	<b>WORD INDEX</b>	<b>WORD</b>
116	AIR	184	DOWNSTAIRS	014	MEDICAL	154	SUN*
255	ALARM	130	DRIVEWAY	212	MOTHER'S	062	SYSTEM*
067	AND*	131	DUCT	145	MOTION		
117	APARTMENT					158	TEMPERATURE
161	APPLIANCE	132	EAST	165	NO*	213	TOOL
118	AREA	133	EQUIPMENT	146	NORTH		
119	ATTIC	004	EXIT	012	NOT*	025	UP
						187	UPPER
120	BABY	134	FACTORY	011	OFF*	183	UPSTAIRS
121	BACK	211	FATHER'S	147	OFFICE	185	UTILITY
122	BAR	135	FENCE	058	ON*		
021	BASEMENT	040	FIRE	148	OPEN	215	WEST
051	BATHROOM	029	FLOOR	210	OUTSIDE	017	WINDOW
053	BATTERY*	137	FOYER			216	WING
092	BED	087	FRONT	013	PANIC		
015	BEDROOM			090	PARTITION*	002	ZONE
123	BLOWER	023	GARAGE	149	PATIO		
124	BOILER	138	GAS	061	PHONE	069	0
162	BRIGHT*	139	GLASS	063	POWER	070	1
125	BUILDING			166	PUMP*	136	1st
039	BURGLARY*	050	HALL			071	2
		010	HEAT	088	REAR	056	2nd
009	CALL			028	RIGHT	072	3
089	CENTRAL	209	INSIDE	018	ROOM	159	3rd
054	CHIME*					073	4
126	CLOSED	022	KITCHEN	007	'S †	217	4th
127	COMPUTER			150	SERVICE	074	5
		140	LAUNDRY	151	SHED	218	5th
208	DAUGHTER'S*	027	LEFT	152	SHOP	075	6
052	DEN	141	LIBRARY	153	SIDE	219	6th
128	DETECTOR	019	LIGHT	024	SMOKE	076	7
060	DEVICE*	030	LIVING	223	SON'S	220	7th
163	DIM*	142	LOADING	155	SOUTH	077	8
031	DINING	094	LOWER	006	STAIRS*	221	8th
016	DOOR	143	MACHINE	156	STATION	078	9
008	DOWN	144	MASTER	157	STORAGE	222	9th

\* These words not contained in the Alpha Vocabulary in Table 3-1.

† 'S counts as one descriptor.



When programming or making test calls to emergency numbers, briefly explain to the dispatcher the reason for the call. Perform such activities in the off-peak hours such as early morning or late evening.

**Programming Speaker Output Mode**

After an ADEMCO 746 speaker or equivalent is connected to the 4286 VIP Module, you must program the speaker output. To do this:

1. Obtain phone access with phone code/user code, as required. Be sure to wait for arming status announcement to end before continuing.
2. Press “# 97” on phone keypad.

A menu will be announced, which is shown below. Press “1” or “0” in response to the prompt. The prompt will be repeated after several seconds if a key is not pressed in response. To exit speaker control programming, complete all required entries or hang up the phone. If the phone is hung up before the Phone Module announces “Exiting,” then any changes made will be lost. If a key other than “1” or “0” is pressed, a buzzer sound will be generated in the phone handset, and the menu request will be repeated.

**Voice Menu for Programming Speaker Output Mode:**

*Table 3-3*

SPEAKER CONTROL CATEGORIES	DESCRIPTION
<b>MUTE:</b> 1 = Yes, 0 = No	Disables all possible speaker output including those sounds listed below. It will also disable the status announcement provided when the “*” key is pressed twice on the monitored keypad. It will not mute certain panel synthesized voice commands that the control directs to the speaker, such as transmitter learn mode speaker output. If “1” is pressed, the 4286 will announce “Exiting,” and exit speaker output mode.
<b>ALL ON:</b> 1 = Yes, 0 = No	Enables all sound categories. If “1” is pressed, the 4286 will announce “Exiting,” and exit speaker output mode.

**Table 3-3 (cont'd)**

<b>SPEAKER CONTROL CATEGORIES</b>	<b>DESCRIPTION</b>
<b>WARNINGS:</b> 1 = Yes, 0 = No	Controls all sounds initiated by the control panel, not directly as a result of a user command. This category includes AC loss, system low battery, checks, test mode beeps and other control panel system messages. Exceptions are alarms, chime and entry/exit delay sounds, which are controlled separately.
<b>CHIME:</b> 1 = Yes, 0 = No	If enabled, the speaker will echo chime sounds from the monitored keypad address. If disabled, other beeping sounds such as those initiated in test mode will also be disabled.
<b>ALARMS:</b> 1 = Yes, 0 = No	Controls speaker announcement of alarms and fire alarms. Always set to Yes ("1"). NOTE: This will not trigger a speaker announcement of a silent alarm. Silent alarms are never announced. Silent alarms are treated as faults as on a keypad.
<b>MAIN KEYPAD:</b> 1 = Yes, 0 = No	Controls arming and other user command confirmations when the monitored keypad has been used to key in the command.
<b>ENTRY/EXIT DELAY:</b> 1 = Yes, 0 = No	Allows slow beep entry/exit sound and voice announcements to be controlled. NOTE: Arming messages are controlled separately from this setting.
<b>KEYS and OTHER DEVICES:</b> 1 = Yes, 0 = No	Controls speaker output when the applicable partition is armed or disarmed by devices other than the monitored keypad. Wireless keys, wireless keypads, scheduled arming (if available), and arming from a remote PC all fall into this category.



When multiple events occur in the system at the same time, one of the categories may take priority, resulting in speaker output even though some of the categories may have been disabled. To completely disable the speaker in all cases, use the **MUTE** command.

# Basic Operating Guide

.....

## In This Section

- ◆ *Phone Code*
- ◆ *Setting the PhoneCode*
- ◆ *Phone Access When On-Premises*
- ◆ *Phone Access When Off-Premises*
- ◆ *Performing System Commands*
- ◆ *Turning Remote Phone Access On and Off*
- ◆ *Installations that Include an Answering Machine*
- ◆ *End User Relay Command Mode when Using 4286 PAM*
- ◆ *Programming Phone Panics*
- ◆ *About the Novice Menu*

.....

## Phone Code

Phone access to the security system is obtained by entering an installer-programmed 2-digit phone code, which can be any number from 1 through 9 followed by a \* or #.

## Setting the Phone Code

After the control panel has been programmed for the 4286 VIP Module (phone code, device programming), and the unit has been properly wired to the control panel and phone line, the phone code must be set in the 4286 VIP by activating the module. The phone code will be automatically set the first time the module is used to obtain status from a premise phone. The control panel must be out of the programming or test mode, with the dialer not active and no commands entered at the system keypad(s).

To set the phone code in the module, pick up a handset on a premise phone that has s been properly wired to the 4286 VIP Module and dial in the phone code that was programmed in the control panel. If the code is accepted, a system status report will be obtained and heard on the premise phone. The code has been properly set if this occurs.

If the code is not accepted, there will be no system status report heard. The control may have been active (such as a keypad sounding, active dialer or commands entered at the keypad). Hang up the handset and wait at least 1 minute and repeat the above procedure. If this does not work, re-check the programming in the control panel for the phone code and device programming.

If the phone code is ever changed in the control panel either through keypad programming or by download, the phone code must be set again using the above procedure.

### Phone Access When On-Premises

Pick up the phone and enter the programmed **phone code**. Annunciation of a system status report will automatically start.

If the system is in alarm when the phone code is entered, a voice prompt will ask for entry of the system security code ("**ENTER SYSTEM CODE NOW**")\*.

\*In some systems, there will not be a voice prompt to enter the system code. If no prompt is given, key an OFF sequence (system code plus OFF) during, or just after the status report to turn alarm off.

**To perform system commands, see "TYPICAL TELEPHONE KEYPAD SHOWING EQUIVALENT COMMAND FUNCTIONS" below.**

In most systems, the alarm will shut off and a system status report will automatically start.

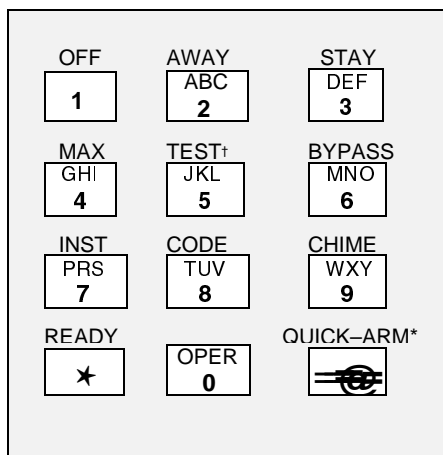
### Phone Access When Off-Premises

1. Dial the premises phone number.
  - *If the system replies directly* (even if the system is in alarm), 2 long tones will be heard, followed by a voice prompt "**HELLO, ENTER PHONE CODE NOW**". Enter the 2-digit phone code.
  - *If the answering machine replies*, enter the 2-digit phone code during a pause at the beginning of, or during, the outgoing message.  
Do **NOT** enter the code after the machine starts recording.
  - *If a person answers, tell that person to hold.* Enter the 2-digit phone code within the first 20 seconds of the pick-up.
2. **When you have entered the 2-digit phone code**, a voice prompt will ask for entry of the 4-digit security code, "**ENTER SYSTEM CODE NOW**".



3. Enter the 4-digit system security code. As a safety feature, there is a 3-try limit in which to enter each code (phone code and system code), after which time the call-in will be aborted. Also, if no keys are pressed for a period of 20 seconds, the call-in will be aborted.
4. Annunciation of a system status report will start if you have entered both codes correctly. The end of the status report may be signaled by a 2-tone chime sound. To perform system commands, see instructions to follow.

**TYPICAL TELEPHONE KEYPAD SHOWING EQUIVALENT COMMAND FUNCTIONS**



<b>Key</b>	<b>Function</b>
1	= OFF
2	= AWAY
3	= STAY
4	= MAXIMUM
5	= TEST †
6	= BYPASS
7	= INSTANT
8	= CODE
9	= CHIME
*	= READY
†	ON-PREMISES PHONE ONLY
*	IF PROGRAMMED



1. You **CANNOT** initiate a phone "PANIC" from the telephone keypad while in the thermostat, speaker control, or 4286 programming mode.
2. To initiate "PANIC" from the telephone keypad refer to "Using the Phone Panic Feature" in this section.

**Performing System Commands**

During any pause in the status report, or immediately following it, key the desired command via the keypad on the phone. Use the same key sequence indicated for commands in the security system's User's Manual.

**Example:** To arm **AWAY**, enter the security code, then press key "2". If the command entry was successful, two "beeps" will be heard, followed by voice confirmation, for example, "**ARMED AWAY, EXIT NOW.**"

If you encounter any difficulty with the operation of the phone access system, refer to Section 5. TROUBLESHOOTING this manual.

A list of confirmation sounds and voice announcements that follow successful command entries is provided below.

### Confirmation Sounds & Voice Announcements After Command Entries

<i>Command Function Performed</i>	<i>Telephone Confirmation</i>	
	<b>Sound</b>	<b>Synthesized Voice Announcement</b>
Armed AWAY	2 beeps	"ARMED AWAY, EXIT NOW" <sup>†</sup>
Armed MAXIMUM	2 beeps	"ARMED MAX, EXIT NOW" <sup>†</sup>
Armed STAY	3 beeps	"ARMED STAY, EXIT NOW" <sup>†</sup>
Armed INSTANT	3 beeps	"ARMED INSTANT, EXIT NOW" <sup>†</sup>
Disarmed	1 beep	"DISARMED, (NOT) READY TO ARM"
Zone Bypass	1 beep	"BYPASS, (descriptor), ZONE #"
Enter CHIME mode	1 beep	"CHIME (ON) or (OFF)"
Enter/Erase temporary User code*	1 beep	No synthesized voice announcement

<sup>†</sup> If desired, you may exit during the Exit Delay period.

\*This function cannot be performed via the telephone with some controls; check the control's Installation Instructions.

For those commands where the 4286 VIP Module's vocabulary does not provide annunciation, (for example TEST, etc.), a beep will be heard (if appropriate) following a successful entry and the words "**SEE SYSTEM KEYPAD**" will be annunciated.

### Turning Remote Phone Access On and Off

Remote telephone access to the security system can be toggled on and off via an on-premises phone (or via a wired keypad) by keying the following:

**4-digit Master security code** +  +  +

The synthesized voice response will be: "**CALL-IN TO SYSTEM [ON] or [OFF]**", with **2 beeps** when turned **ON**, and **1 beep** when turned **OFF**.

Some systems will not give voice responses, but will give the beeps.



Remote Access **CAN** be turned **OFF** from an off-premises phone, but **CANNOT** be turned ON.

---



If Remote Phone Access has been turned off automatically as a result of tampering (such as would be caused by improper keying of codes on a call-in), and this occurs repeatedly over a short period of time, the user should be instructed **NOT** to turn Remote Phone Access on again for a period of time if the improper keying was not caused by the user or a family member. **An unauthorized person may be attempting to access the security system from outside.**

---

### Installations Where The Telephone System Includes An Answering Machine

When accessing the system via an outside phone when the installation includes an answering machine, enter the 2-digit phone code during the first 20 seconds of the OUTGOING message on the answering machine (preferably during a pause in the outgoing message), **before it begins recording an incoming message.**

The reason for entry of the phone code during a pause is that Touch-tones (produced by entry of the 2-digit phone code) might not be received by the security system while an answering machine's outgoing voice message is on the phone line. Also, entering the 2-digit phone code *before* the answering machine starts recording will prevent the phone code tones from being recorded, and later played back if the answering machine has a remote message playback feature.

**If there is difficulty obtaining phone access when trying to use this procedure,** instruct the end user to re-record the outgoing message on the answering machine, but leave a 2-second pause at its beginning (for entry of phone code on an outside call-in).

**Example:** (2-second pause) *“This is the Smith residence. I can't come to the phone just now... Please leave a message after the tone.”*

## End User Relay Command Mode When Using the 4286 VIP Module

For information on whether operation of the end-user Relay Command mode via the telephone is possible with the control being used, refer to the control's Installation Instructions and the following.

Voice feedback is possible only with certain controls.

The following is a summary of the different methods available for manual operation of relays and/or power line carrier devices via the phone in various Ademco systems. These end user functions are discussed in the 4286 VIP Module User's Guide.

### VISTA 10, VIA-30P

These control panels can use non-voice response relay commands to manually turn devices on or off. However, field \*80 (Output Relay programming) must include

System Operation choices 34 (Code + # + 7) and/or 35 (Code + # + 8) for ZT (Zone Type/System Operation) for a selected relay.

When so programmed, the relay for which System Operation choice 34 or 35 was selected can be manually activated or de-activated by keying:

**Code + # + 7 or Code + # + 8.**

### VISTA 20 (all controls)

This control panel uses non-voice response relay commands to manually turn devices **on** or **off**, as follows:

**4-digit system code + # + 7 + device No.** will turn **on** the device.

**4-digit system code + # + 8 + device No.** will turn **off** the device.



---

The above mentioned controls will **NOT** provide voice feedback and there will be no voice confirmation over the phone that the command has been executed. However, wired keypads in the security system will "beep" for confirmation.

---

### VISTA 40, VISTA 50P

These control panels use the interactive "# 70 Relay Command Mode" to manually turn devices **on** or **off**.

## Using the Phone Panic Feature

On-premises Touch-tone phones wired as shown in the 4286 “Summary of Connections” can be used as panic stations. Program the control as appropriate for “\*#” keypad panics. See the control panel instructions and the 4286 programming form.

To trigger a panic using the 4286 VIP Module, instruct the end user to pick up the handset and first dial in the phone code, then dial in the digit “1” (at least six times) until you hear dial tone returned, followed by line seizure (silence). This will activate the “\*#” keypad panic in the control panel as long as a report code has been programmed for this panic. Phones incorrectly wired (connected before the control panel or 4286 VIP Module) can NOT be used to gain access to the system or used as panic stations. Refer to the 4286 Summary of Connections for correct wiring of the phones. Be sure to test each phone on the premises to ensure proper operation.

## Using the Novice Voice Menu

If the user does not enter a command to the 4286 within five seconds after the last status message was announced, it would be assumed that help is needed, and the 4286 will enter a “novice mode.” The user will then be prompted to enter the 4-digit system code. If there is no user response to the system code request, the message will be repeated two more times at five-second intervals. At this point, the Module will end the session by saying “**GOOD-BYE**,” and disconnect from the phone line.

If the system code was entered, a voice menu of the more common user commands, (Disarm, Arm-Away, Arm-Stay, Relay Control, and Thermostat Control) will be provided. Again, if there is no user response, the menu will be repeated two more times at five-second intervals. At this point, the voice Module will end the session by saying “**GOOD-BYE**,” and disconnect from the phone line.



---

The 4286 VIP Module does not differentiate between correct and incorrect system codes; that is the function of the control panel. If the system code is not entered correctly, the control panel will not respond to the commands. After a five-second pause, the user will again be prompted to “**ENTER SYSTEM CODE NOW**.” At this time, the user may enter the correct system code.

---

If the system code was correctly entered, the control panel will respond with a status message as it usually does. The “novice mode” will be re-entered five seconds later.

## About the Speaker Output

Pressing “\* \*” on the monitored keypad will trigger a status announcement from the speaker output (except if the user has made the **MUTE** speaker control menu selection. User command confirmation for Entry/Exit, Alarm, and other warnings can also be provided.



---

The speaker output is for auxiliary use only and is not intended to replace the system's primary sounder or siren.

---



---

When using an outside speaker, announcements made by the speaker will be limited. All faults that exist may not be announced when status is called for. This will prevent lengthy voice reports through the output speaker that some users may find objectionable.

---

# Troubleshooting

.....

## In This Section

◆ *Typical System Problems and Solutions*

- .....
- **"87" Displayed on Keypad and Rapid Beeping Occurs (and/or the system cannot be accessed by phone).**
    - The 4286 VIP Module is not responding to the control panel. Check wiring of 4286 VIP Module to control (Data In, Data Out, Aux [+], and Aux [-] wiring).
  - **Keypad Produces Erratic Displays and Beeps.**
    - Keypads used in system are non-addressable type. Only addressable keypads can be used. If using a 4140XMP or VIA30+ control, addressable keypads must be set to the non-addressable mode.
  - **Security System Cannot Be Accessed via the Phone (on or off premises).**
    - The 2-digit Phone Code has not been programmed.
    - 2nd digit of Phone Code (\* or #) does not provide touch tones on phone in use. Select whichever of these digits that does. If neither does, that phone is not usable for phone access.
  - **Security System Cannot Be Accessed via the Phone (from on premises).**
    - Entry of 2-digit phone code may be incorrect. Verify phone code and try again.
  - Generally, the system cannot be accessed when the phone line is busy, such as when downloading is in progress, if engaged in a phone conversation (except during entry delay), or when the phone is ringing (always allow at least 10 seconds after the last ring before attempting phone access)
  - The system cannot be accessed if the phone line is out of service.
    - **Note:** If the system cannot be access by phone, verify the phones were properly wired to the security system as shown in the Summary of Connections. Phones incorrectly wired (connected before the control panel or 4286 VIP Module) can NOT be used to gain access to the system.
  - **Security System Cannot Be Accessed via the Phone (from off premises).**
    - Either the 2-digit phone code or system security code may have been entered incorrectly. Verify both codes and try again.
    - Remote access turned off. If so, turn on (from on-premises phone only) by entering 2-digit Phone Code to access system, then enter: Master security code + # + 9 + 1.
      - **Note:** If turned off and TAMPER message is displayed, clear system first by keying an OFF sequence **twice**.

**Remote Phone Access Keeps Turning Off Automatically.**

- Improper keying (or attempted tampering) from an outside phone has automatically turned remote phone access off (the keypad will display a tamper message).

**No Tones Produced By the Touch-tone Phone When Keys Are Pressed (on-premises phone).**

- Phone is not Touch-tone capable. If switchable type, make sure phone is switched to TONE.
- It may be necessary to reverse wires connected to terminals 3 and 4 on 4286 VIP Module and "Handset" TIP and RING terminals on control (see section describing wiring connections for 4284/4286).

**The System Has Been Accessed and Status Reports Annunciated, But Commands Cannot Be Executed.**

- Key entries may have been too rapid – make key entries slowly and firmly.
- You may have keyed entries while the system was speaking. Make your key entries only during pauses in annunciations by the system.
- Security code entered may be incorrect.
- Certain command functions have restrictions. Entry to the control panel programming mode cannot be executed via the phone (see below). TEST and "Sniffer" modes can be initiated from an on-premises phone only.

**Cannot Initiate "Panic"**

- Verify Phone Panic Address in Field 01; Control Panel Type in Field 02; two digit phone code, and panic code (six 1's) have

been entered correctly. Both Field's 01 and 02 relate to the VIP Programming Mode. There must be no Modules or keypads with their address set to the phone panic address. Verify the control panel has "\* #" panic programmed for the correct zone type and report code. Also verify the device address used for phone panics is programmed for use by a keypad.

**Cannot Enter Temporary User Codes via the Phone**

This function cannot be performed via the phone with some controls – only at the keypad. See the control's Installation Instructions for information.

**Descriptions Of Zones Not Annunciated Along With Zone Numbers.**

- Zone descriptors have not been programmed (necessary even if system uses only fixed-word keypads).
- Words selected for descriptors are in the control panel's vocabulary of words but are not in the 4286 VIP Module's vocabulary (see "Programming Zone Descriptors").

**Thermostat is in "CHECK" (4286 announces "Check Thermostat", or the yellow light is flashing on the 4500):**

- Check that the dip switch on each thermostat is properly set, and that the 4500 addresses have been properly programmed in the 4286 programming mode.
- Check the connections from the 4286 to the 4500, and make sure that the cable connecting the 4500 to the 4286 faces the correct direction—yellow toward the corner of the 4286 board.



---

**In a 4140XMP Installation, Descriptions of Zones Annunciated Are Not Correct.**

- In an existing 4140XMP installation, all zone descriptors must be re-programmed when the 4286 VIP Module is installed.

**"See System Keypad" Message Is Annunciated.**

This message will be annunciated during any of the following conditions:

1. When the system is in the TEST mode.
2. When the system has been set to the House or Transmitter ID "Sniffer" modes.
3. Four or more unsuccessful attempts have been made to access the system from off-premises, which has caused Remote Phone Access to be turned off automatically.
4. Low battery in an RF transmitter.
5. Modem connection with PC downloader (down-loading in progress).
6. There has been a failure of the system to communicate with the central alarm monitoring station.
7. There has been a 4281 or 5881 Receiver Set Up Error (more RF zones have been programmed than can be accommodated by the type of receiver used).

When the **"See System Keypad"** message is annunciated under the conditions listed in 1 through 7 above, the keypad will provide the display normally expected under those particular conditions. For example:

1. If System is in the TEST mode. In this mode, a fixed-word keypad will only display the normal "System Disarmed" message, while an Alpha key-pad will display "Test in Progress", unless a zone is faulted, in which case the zone number (and the description if it is an Alpha key-

pad) of the open zone will be displayed. If System is in the House or Transmitter ID "Sniffer" mode. Any display that appears is used to identify ID numbers for specific identification purposes in this special mode (used only during installation of the system).

2. ***If "Tampering" has caused "CALL-IN TO SYSTEM OFF, SEE SYSTEM KEYPAD" message to be annunciated.*** If the system is in the disarmed mode, an Alpha keypad will display "CALL-IN TAMPER" and a fixed-word keypad will display "CI". However, if the system is in the armed mode, only the normal "System Armed" message will be displayed.
3. ***If there is a low battery in an RF Transmitter.*** If the system is in the disarmed state, a "Low Battery" message will be displayed. If the system is in the armed state, this display message may not appear until the system is disarmed (depending on how the system was programmed).
4. ***If Downloading is in progress.*** During this period, the Alpha keypad will display "MODEM COMM" and the fixed-word keypad will display "CC."
5. ***If there is failure of communication with the central alarm monitoring station.*** If the system has attempted to send a report to the central alarm monitoring station and has failed, the Alpha keypad will display "COMM FAILURE" and the Fixed-word keypad will display "FC."

- 6. If there is incorrect programming of RF zones for the 4281 or 5881 Receiver.** If more RF zones have been programmed than can be accommodated by the receiver in use, an Alpha keypad will display "RCVR Set-Up Error," and a Fixed-word keypad will display "E8."

# Appendices

.....

## **In This Section**

- ◆ *In the Event of Trouble with Regular Telephone Service*
  - ◆ *Federal Communications Commission (FCC) Part 15 and Part 68 Statement*
  - ◆ *Telco-Provided Coin Service Advisement*
  - ◆ *Summary of Connections*
  - ◆ *ADEMCO Limited Warranty*
- .....

### **In The Event Of Trouble With Regular Telephone Service**

In the event of trouble with regular telephone service, disconnect the security system from the phone lines by removing the plug from the RJ31X (CA38A in Canada) wall jack. We recommend that you demonstrate removal of this plug to the user, following installation of the system.

**Do not disconnect the phone connection inside the Control or the 4286 VIP Module. Doing so will result in the loss of regular phone service.**

If the regular phone works correctly after the plug has been disconnected from the RJ31X (CA38A in Canada) wall jack, the Control Panel or the 4286 VIP Module has a problem and the faulty unit should be returned for repair. If upon disconnection of the plug, there is still a problem on the line, the telephone company should be notified that they have a problem and that prompt repair service is needed.

**IMPORTANT:** If the phone service is at fault in the test above, re-insert the plug immediately; if the security system is at fault, re-insert the plug as soon as the security system is repaired, since the security system relies on this connection for communication with the alarm monitoring station.

The user may not under any circumstances (in or out of warranty) attempt any service or repairs to the system. It must be returned to the factory or an authorized service agency for all repairs.

**FEDERAL COMMUNICATIONS COMMISSION (FCC) PART 15 STATEMENT**

This equipment has been tested to FCC requirements and has been found acceptable for use. The FCC requires the following statement for your information:

This equipment generates and uses radio frequency energy and if not installed and used properly, that is, in strict accordance with the manufacturer's instructions, may cause interference to radio and television reception. It has been type tested and found to comply with the limits for a Class B computing device in accordance with the specifications in Part 15 of FCC Rules, which are designed to provide reasonable protection against such interference in a residential installation. However, there is no guarantee that interference will not occur in a particular installation. If this equipment does cause interference to radio or television reception, which can be determined by turning the equipment off and on, the user is encouraged to try to correct the interference by one or more of the following measures:

- If using an indoor antenna, have a quality outdoor antenna installed.
- Reorient the receiving antenna until interference is reduced or eliminated.
- Move the receiver away from the security control.
- Move the antenna leads away from any wire runs to the security control.
- Plug the security control into a different outlet so that it and the receiver are on different branch circuits.

If necessary, the user should consult the dealer or an experienced radio/television technician for additional suggestions. The user or installer may find the following booklet prepared by the Federal Communications Commission helpful: "Interference Handbook". This booklet is available from the U.S. Government Printing Office, Washington, DC 20402. The user shall not make any changes or modifications to the equipment unless authorized by the Installation Instructions or User's Manual. Unauthorized changes or modifications could void the user's authority to operate the equipment.

**FEDERAL COMMUNICATIONS COMMISSION (FCC) PART 68 STATEMENT**

This equipment complies with Part 68 of the FCC rules. On the front cover of this equipment is a label that contains, among other information, the FCC registration number and ringer equivalence number (REN) for this equipment. If requested, this information must be provided to the telephone company.

This equipment uses the following jacks: An RJ31X is used to connect this equipment to the telephone network.

The REN is used to determine the quantity of devices which may be connected to the telephone line. Excessive RENs on the telephone line may result in the devices not ringing in response to an incoming call. In most, but not all areas, the sum of the RENs should not exceed five (5.0). To be certain of the number of devices that may be connected to the line, as determined by the total RENs, contact the telephone company to determine the maximum REN for the calling area.

If this equipment causes harm to the telephone network, the telephone company will notify you in advance that temporary discontinuance of service may be required. If advance notice is not practical, the telephone company will notify the customer as soon as possible. Also, you will be advised of your right to file a complaint with the FCC if you believe necessary.

The telephone company may make changes in its facilities, equipment, operations, or procedures that could affect the operation of the equipment. If this happens, the telephone company will provide advance notice in order for you to make the necessary modifications in order to maintain uninterrupted service.

If trouble is experienced with this equipment, please contact the manufacturer for repair and warranty information. If the trouble is causing harm to the telephone network, the telephone company may request you remove the equipment from the network until the problem is resolved.

There are no user serviceable components in this product, and all necessary repairs must be made by the manufacturer. Other repair methods may invalidate the FCC registration on this product. This equipment cannot be used on telephone company-provided coin service. Connection to Party Line Service is subject to state tariffs. This equipment is hearing-aid compatible.

**TELCO-PROVIDED COIN SERVICE ADVISEMENT:**

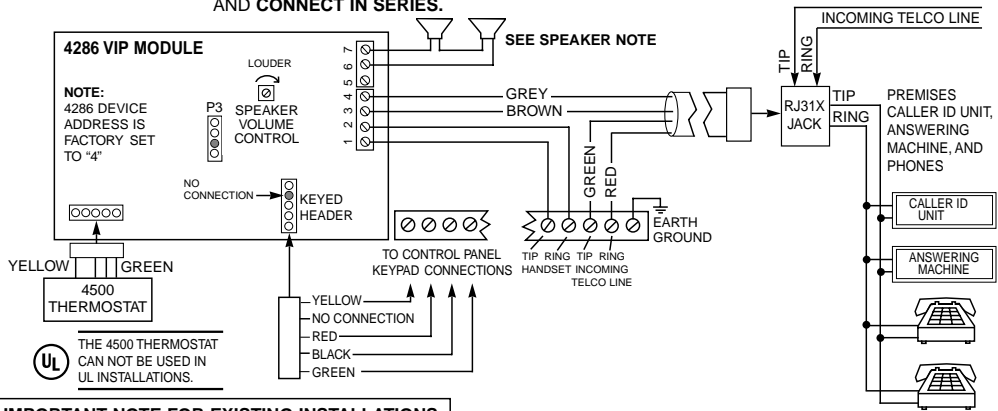
This equipment cannot be used on telephone company-provided coin service. Connection to Party Line Service is subject to state tariffs.

This equipment is hearing-aid compatible.

When programming or making test calls to emergency numbers, briefly explain to the dispatcher the reason for the call. Perform such activities in the off-peak hours; such as early morning or late evening.

*4286 VIP Module Installation and Setup Guide*

**SPEAKER NOTE:** IF CONNECTING SINGLE SPEAKER, USE 8-ohm SPEAKER ONLY. IF CONNECTING 2 SPEAKERS, USE 4-ohm or 8-ohm SPEAKERS AND CONNECT IN SERIES.



**IMPORTANT NOTE FOR EXISTING INSTALLATIONS:**  
EXISTING WIRES CONNECTED TO THE "HANDSET" TERMINALS ON CONTROL MUST BE MOVED FROM THERE TO TERMINALS 3 AND 4 ON THE 4286.

THIS DEVICE COMPLIES WITH FCC RULES, PART 68  
FCC REGISTRATION No. AC3USA-74659-KX-N  
RINGER EQUIVALENCE: 1.0B

U.S. PATENT No. 4791658

**Summary of Connections**

## **ADEMCO LIMITED WARRANTY**

Alarm Device Manufacturing Company, a Division of Pittway Corporation, and its divisions, subsidiaries and affiliates ("Seller"), 165 Eileen Way, Syosset, New York 11791, warrants its products to be in conformance with its own plans and specifications and to be free from defects in materials and workmanship under normal use and service for 18 months from the date stamp control on the product or, for products not having an Ademco date stamp, for 24 months from date of original purchase unless the installation instructions or catalog sets forth a shorter period, in which case the shorter period shall apply. Seller's obligation shall be limited to repairing or replacing, at its option, free of charge for materials or labor, any product which is proved not in compliance with Seller's specifications or proves defective in materials or workmanship under normal use and service. Seller shall have no obligation under this Limited Warranty or otherwise if the product is altered or improperly repaired or serviced by anyone other than Ademco factory service. For warranty service, return product transportation prepaid, to Ademco Factory Service, 165 Eileen Way, Syosset, New York 11791.

THERE ARE NO WARRANTIES, EXPRESS OR IMPLIED, OF MERCHANTABILITY, OR FITNESS FOR A PARTICULAR PURPOSE OR OTHERWISE, WHICH EXTEND BEYOND THE DESCRIPTION ON THE FACE HEREOF. IN NO CASE SHALL SELLER BE LIABLE TO ANYONE FOR ANY CONSEQUENTIAL OR INCIDENTAL DAMAGES FOR BREACH OF THIS OR ANY OTHER WARRANTY, EXPRESS OR IMPLIED, OR UPON ANY OTHER BASIS OF LIABILITY WHATSOEVER, EVEN IF THE LOSS OR DAMAGE IS CAUSED BY THE SELLER'S OWN NEGLIGENCE OR FAULT.

Seller does not represent that the products it sells may not be compromised or circumvented; that the products will prevent any personal injury or property loss by burglary, robbery, fire or otherwise; or that the products will in all cases provide adequate warning or protection. Customer understands that a properly installed and maintained alarm may only reduce the risk of a burglary, robbery, fire or other events occurring without providing an alarm, but it is not insurance or a guarantee that such will not occur or that there will be no personal injury or property loss as a result. CONSEQUENTLY, SELLER SHALL HAVE NO LIABILITY FOR ANY PERSONAL INJURY, PROPERTY DAMAGE OR OTHER LOSS BASED ON A CLAIM THE PRODUCT FAILED TO GIVE WARNING. HOWEVER, IF SELLER IS HELD LIABLE, WHETHER DIRECTLY OR INDIRECTLY, FOR ANY LOSS OR DAMAGE ARISING UNDER THIS LIMITED WARRANTY OR OTHERWISE, REGARDLESS OF CAUSE OR ORIGIN, SELLER'S MAXIMUM LIABILITY SHALL NOT IN ANY CASE EXCEED THE PURCHASE PRICE OF THE PRODUCT, WHICH SHALL BE THE COMPLETE AND EXCLUSIVE REMEDY AGAINST SELLER. This warranty replaces any previous warranties and is the only warranty made by Seller on this product. No increase or alteration, written or verbal, of the obligations of this Limited Warranty is authorized.

SEE THE CONTROL PANEL'S INSTALLATION INSTRUCTIONS FOR COMPLETE INFORMATION REGARDING THE LIMITATIONS OF THE ENTIRE SECURITY SYSTEM.

**ADEMCO**  
**GROUP**

165 Eileen Way, Syosset, New York, 11791  
Copyright © 1999 PITTWAY CORPORATION



N6431-3V1 10/99